

**OVERALL ASSEMBLY
112KVA TRANSFORMER
29" ENCL.**

TOLERANCES UNLESS OTHERWISE SPECIFIED	
2-PL	± .02
3-PL	± .005
HOLES	± .030
ANGLES	± 1°
REMOVE ALL BURRS	
SCALE	NTS

FINISH:

DRAWN DATE

DRAWN BY

LG

CHECKED DATE

CHK'D BY

CH

SHEET

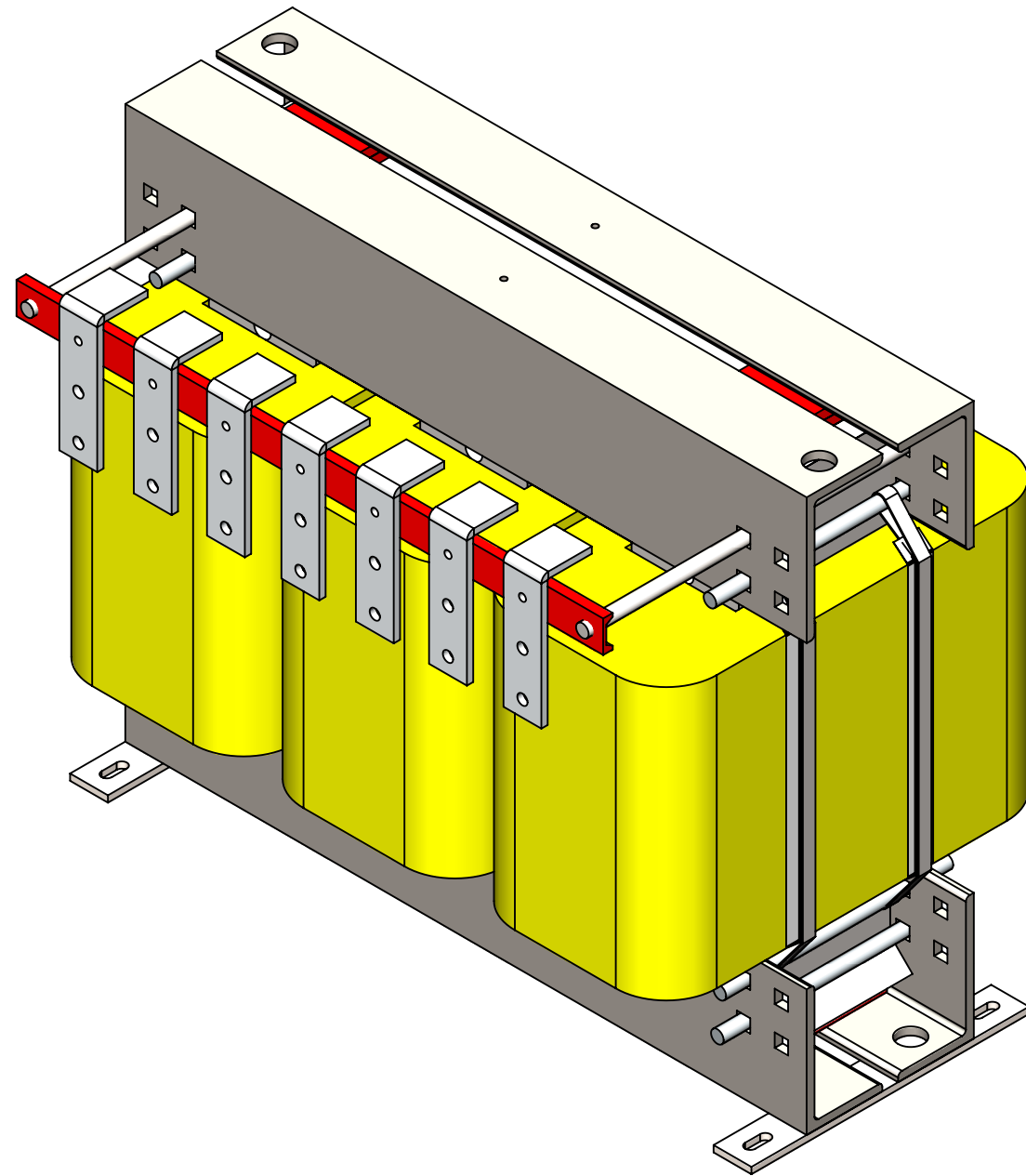
1 OF 1

WEIGHT:

PART NO.

423-9257-000-CD

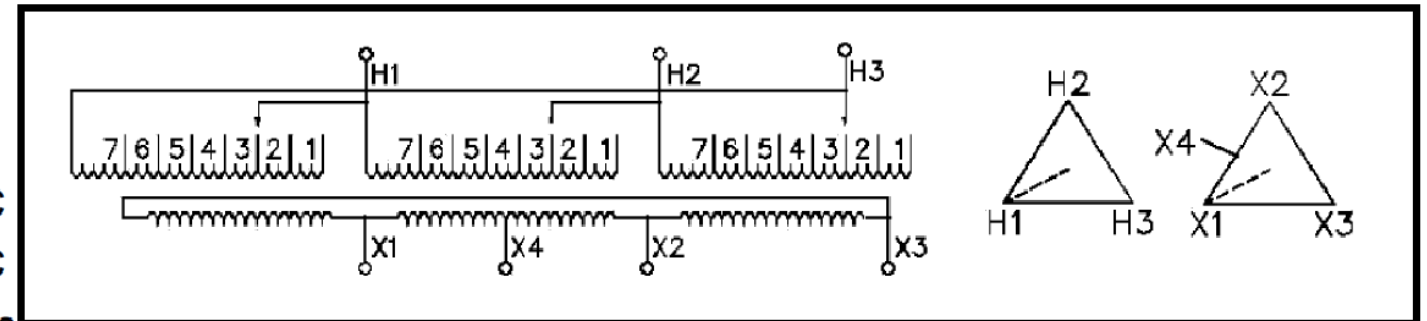
B		NAMEPLATE ADDED
A		INITIAL RELEASE
REV	DATE	DESCRIPTION



kVA **112.5**
 Phase **3**
 Hz **60**
 %IZ **5.8**
 Rise **150 °C**
 Ins. Class **220 °C**
 Weight **840 lbs**
 Class **AA**
 Wdg. Mtl. **Al**

High Voltage: **480 Delta**

Low Voltage: **240 Delta / 120 CT**



High Voltage: Lines on H1, H2, H3

Connect	1	2	3	4	5	6	7
Volts	504	492	480	468	456	444	432

Low Voltage: Lines on X1-X2-X3

Line - Line	Lines X1-X4 & X2-X4
240 V	120 V 1 Ph Only

SEISMIC
 QUALIFIED to IBC, CBC
 SDS=2.00g, z/h=1.0, 1p=1.5
 Rigid Floor Mounted
 OSHPD OSP-0109-10

423 Series

Meets DOE-2016 Efficiency

Outdoor Type 3R

Datecode: L1811 Job#: IND50039 SN: 0001



OVERALL ASSEMBLY
112KVA TRANSFORMER
29" ENCL.

FINISH:

TOLERANCES UNLESS OTHERWISE SPECIFIED
 2-PL ± .02
 3-PL ± .005
 HOLES ± .030
 ANGLES ± 1°
 REMOVE ALL BURRS
 SCALE **NTS**

DRAWN DATE

DRAWN BY **LG**

CHECKED DATE

CHK'D BY **CH**

SHEET

1 OF 1

WEIGHT:

PART NO.

423-9257-000-CD

REV	DATE	DESCRIPTION
B		NAMEPLATE ADDED
A		INITIAL RELEASE